

## GEYSER DUO 58 L

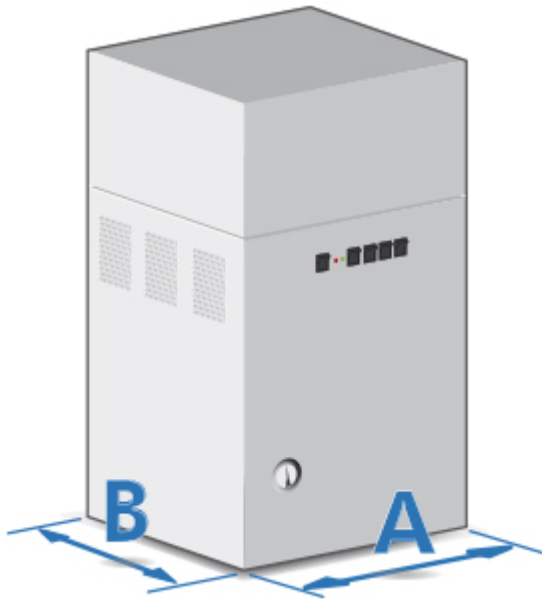


Electric steam generators with two 58 litres boilers and modular heating elements. Available from 75 kW to 150 kW size.

---

Product codes: 1690, 1692, 1693, 1692TRON, 1693TRON

**DESCRIZIONE:**



### Compact

- Compact design, small footprint.
- With two free sides for easy location.
- Easy installation.

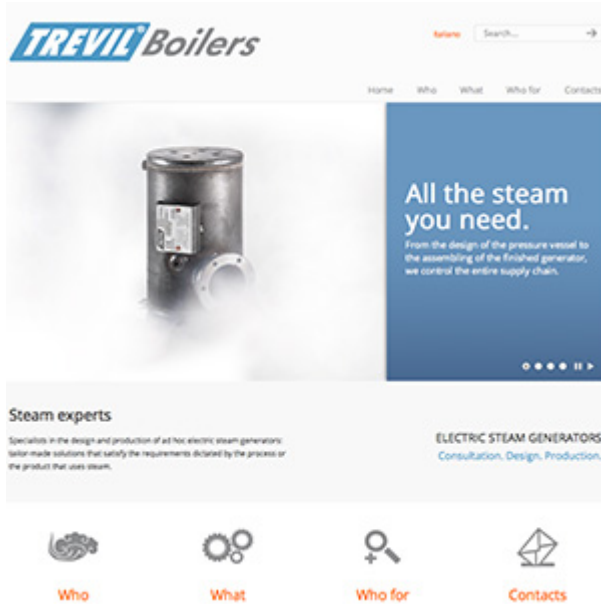


**Designed for energy saving**

- Modular heating elements: turn on only what you need. The optional Geysler-TRON device allows further savings.
- High performance insulation for higher efficiency.
- Optional condensate recovery tank.
- Optional heat recovery “economizer” device.
- Except in case of extremely hard water, no water softening is required.

**Safe and durable**

- No exposed hot or electrical parts.
- Alarm light on front panel.
- Double protection against overheating and overpressure.
- High quality materials: stainless steel water tank, all-metal piping.
- Insulation cover of the pressure vessel made of fireproof material.



### Customizable

Our TREVIL Boilers business unit offers consulting services and custom design for your special applications. Visit [www.trevilboilers.com](http://www.trevilboilers.com) to learn more about what TREVIL Boilers can do for you.

|

## MAIN FEATURES



### **Two pressure vessels**

Total boiler capacity is split into two vessels, for more modularity and easier maintenance.



### **Incoloy elements**

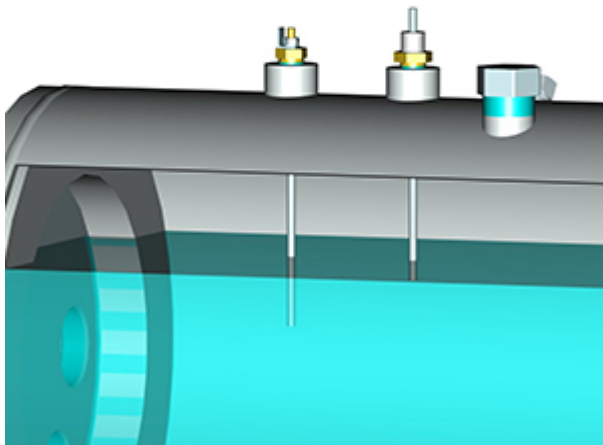
We use premium Incoloy elements which feature superior resistance to heat and stress corrosion. Incoloy elements also

reduce the need for boiler cleaning, as they naturally remain cleaner from limescale compared to other materials.



#### Modular heating elements

The total power of the generator is split into smaller heating elements that may be individually controlled. The number of heating elements in function can be selected according to steam consumption. The (optional) Geysier-TRON system performs this action automatically.



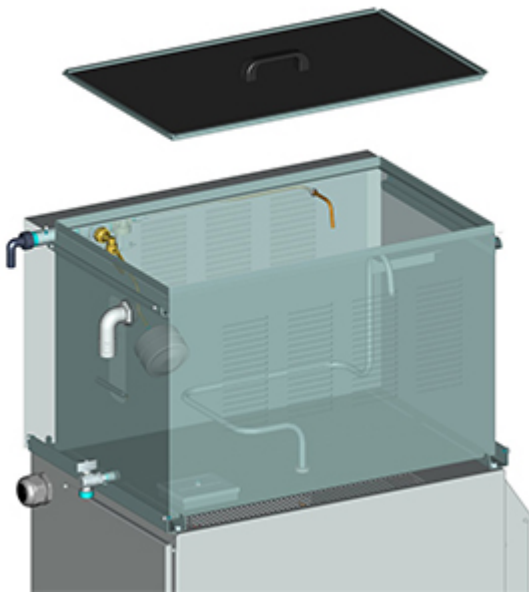
**Electronic level control**

The water level in the boiler is electronically controlled and refilled by an electric pump. Valves prevent water backflow into the supply line and boiler flooding during hours of inactivity.

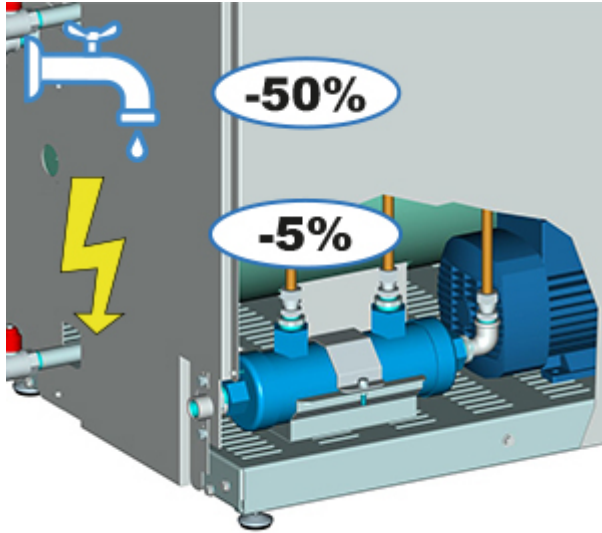
The level control circuit has been designed so as to prevent phenomena of galvanic corrosion.

The level control circuit has built-in protections against generator malfunction, for example dry running and excess pressure.

There is no floating ball and therefore no mechanical parts that may fail.

**OPTIONS****Condensate recovery tank**

Each Trevil generator can be equipped with a stainless steel tank for condensate recovery. The temperature in the water tank is controlled by thermostat to avoid water overheating and steam plume.



### Economizer

The economiser allows 50% saving on water consumption and 5% on energy consumption.

The condensate recovery tank, by itself, allows saving water and energy. Higher savings can be reached implementing our economizer, that is a heat exchanger which pre-heats the water entering the boiler exploiting the residual heat of condensate entering the tank.

The economizer is particularly recommended in systems that produce much condensate.





### **Geyser-TRON automatic power management**

The exclusive Geyser-TRON system automatically modulates the active power of the boiler according to the actual steam consumption of the system, thus avoiding waste.

In a Geyser boiler, the total installed power is provided by several heating elements. The Geyser-TRON electronic system is able to recognise how much steam the system actually needs, and switches on just the number of heating elements needed to provide that steam output. If steam consumption increases, it switches on one or more additional heating elements; if consumption decreases, it switches them off.

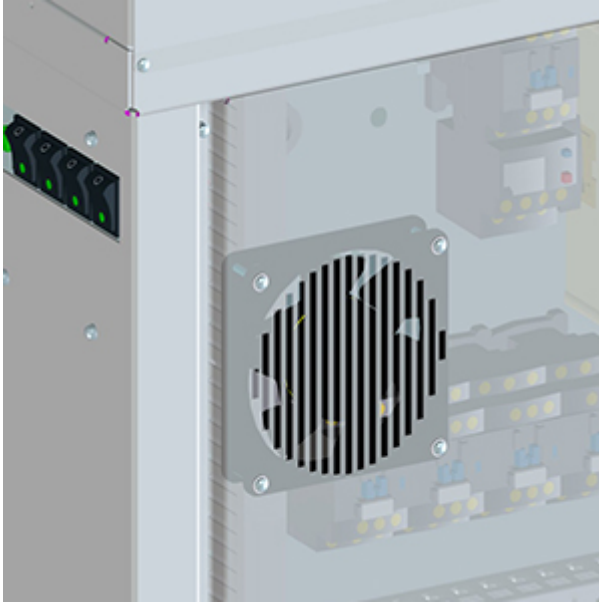
Geyser-TRON is available as an option on Geyser generators 24 kW and over.



### **160A main switches**

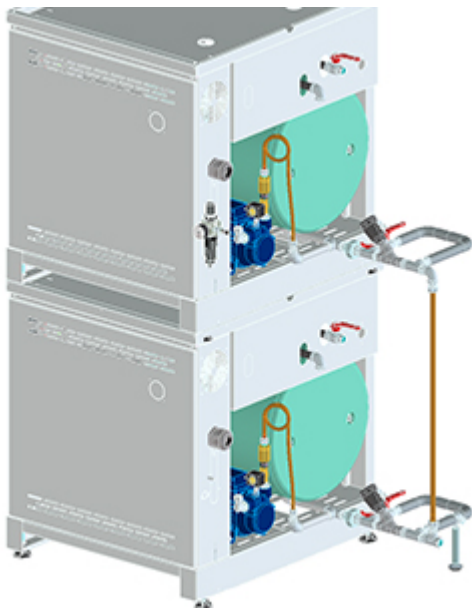
The switches are installed on the door of each electric box and prevent opening the door when the switch is in the ON position.

The electric box can be accessed only when the switch is in the OFF position, that is when there is no live current.



#### **Ventilation electrical system**

The system prevents overheating of the electrical panel when the generator is installed in a warm environment.



#### **Automatic drain valve**

The system allows to drain the boiler automatically.

The presence of compressed air is required.

## TECHNICAL SPECIFICATIONS

	1690	1692	1693
<b>Description</b>	90 kW steam generators for central steam plants with two boiler	120 kW steam generators for central steam plants with two boiler	150 kW steam generators for central steam plants with two boiler
<b>Electrical requirements</b>	400V 3N 50Hz 400V 3 50Hz 230V 3 50Hz 220V 3 60Hz	400V 3N 50Hz 400V 3 50Hz 230V 3 50Hz 220V 3 60Hz	400V 3N 50Hz 400V 3 50Hz 230V 3 50Hz 220V 3 60Hz
<b>Total power</b>	90,75 kW	120,75 kW	150,75 kW
<b>Pump power</b>	0,75 kW x2 1 HP x2	0,75 kW x2 1 HP x2	0,75 kW x2 1 HP x2
<b>Boiler resistance</b>	90 kW	120 kW	150 kW
<b>Boiler volume</b>	58 l x2	58 l x2	58 l x2
<b>Produzione vapore</b>	126 kg/h 278 lbs/h	168 kg/h 370 lbs/h	210 kg/h 463 lbs/h
<b>Steam production</b>	5 bar 72 PSI/h	5 bar 72 PSI/h	5 bar 72 PSI/h
<b>Footprint</b>	810 x 690 mm 32" x 27"	810 x 690 mm 32" x 27"	810 x 690 mm 32" x 27"
<b>Dimensions</b>	810 x 820 x 1625 mm 32" x 32" x 64"	810 x 820 x 1625 mm 32" x 32" x 64"	810 x 820 x 1625 mm 32" x 32" x 64"
<b>Net weight</b>	319 kg 703 lbs	319 kg 703 lbs	319 kg 703 lbs

1692TRON

1693TRON

	<b>1692TRON</b>	<b>1693TRON</b>
<b>Description</b>	120 kW steam generators for central steam plants with two boiler and automatic power management	150 kW steam generators for central steam plants with two boiler and automatic power management
<b>Electrical requirements</b>	400V 3N 50Hz 400V 3 50Hz 230V 3 50Hz 220V 3 60Hz	400V 3N 50Hz 400V 3 50Hz 230V 3 50Hz 220V 3 60Hz
<b>Total power</b>	120,75 kW	150,75 kW
<b>Pump power</b>	0,75 kW x2 1 HP x2	0,75 kW x2 1 HP x2
<b>Boiler resistance</b>	120 kW	150 kW
<b>Boiler volume</b>	58 l x2	58 l x2
<b>Steam production</b>	168 kg/h 370 lbs/h	210 kg/h 463 lbs/h
<b>Steam pressure</b>	5 bar 72 PSI/h	5 bar 72 PSI/h
<b>Footprint</b>	810 x 690 mm 32" x 27"	810 x 690 mm 32" x 27"
<b>Dimensions</b>	810 x 820 x 1625 mm 32" x 32" x 64"	810 x 820 x 1625 mm 32" x 32" x 64"
<b>Net weight</b>	319 kg 703 lbs	319 kg 703 lbs